

The one that creates a new trend

ANYSHOP e2

Reliable, Stylish, Economic, Smartly Designed POS System

- Easy Installation and Maintenance
- Optimized High Performance, Energy Efficient Processor
 - Intel® D2550 Fanless 2GB RAM(DDR3)
 - (Optional: Intel® Core™ i3/i5/i7, max 8GB RAM)
- LED Backlight LCD / 15" Touch



Options



CDP

- VFD Type
- 2 Lines x 20 Characters



Multi-Reader

- Magnetic Stripe Reader (MSR)
- Smart Card Reader (SCR)



User Friendly External Ports

- Extensible 4 USB Ports



Stereo Speaker

- Internal Stereo Speaker



Dual Display Monitor

- Product Promotion to In-store Customers
- 12.1", 10.4", 10.1"
- (Resolution : 1024 x 768)



Dual Storage

- Fail-Safe Support for SSD
- 32GB or 64GB (Max.2)



Smart Battery

- Embedded UPS Function
- Prevents Sudden Death of Data



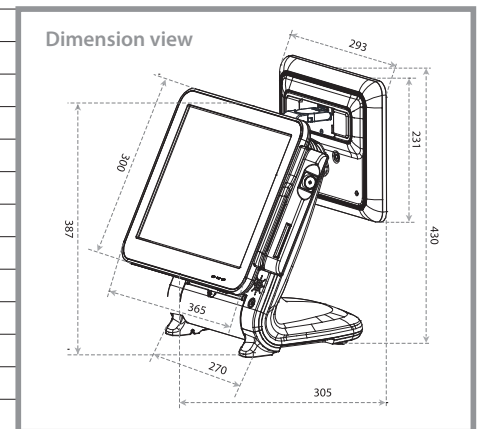
Colorful Cases

- A Variety of Colors to Choose
- Backside / Monitor Cases

Specifications



	ANYSHOP e2 Q SERIES	ANYSHOP e2 D25
CPU	uPGA988 for 2nd and 3rd Generation Intel® Core™ i7/i5/i3, Intel® Pentium, Intel® Celeron Processors	Intel Atom processor D2550 (1MB Cache, 1.86 GHz, Dual Core for Cedarview-D)
Chipset	Intel QM77	Intel NM10
Storage	SATA 3 (6Gb/s) 2.5 inch SSD 64GB (Max. 2 Optional) Support AHCI	SATA 2 (3Gb/s) 2.5 inch SSD 32GB (Max. 2 Optional)
Memory	DDR3-1600MHz SODIMM Default 2GB (MAX. 8GB)	DDR3-1066MHz SODIMM 2GB (MAX. 4GB)
Graphic	Integrated Intel GFX	Integrated Intel GMA HD 3650
AMT	Support iAMT 8.0	-
Display		
Resolution	15" LED Backlight TFT-LCD 250 cd/m ² (1024 x 768 resolution)	
Touch screen	5-wired Resistive Touch	
Internal I/O		
USB	3 Ports (reserved for touch controller, SCR EMV card, camera and MSR controller)	
Serial port	COM 5 (reserved for cash drawer port) & COM 6 (reserved for MSR)	
Display port	LVDS or VGA & COM 4 (reserved for CDP)	VGA & COM 4 (reserved for CDP)
Extension slot	Mini PCIe	
Primary display	24bit LVDS	
External I/O		
USB	Rear 6 (USB 3.0 x 4 ports, USB 2.0 x 2 ports)	Rear 4 (USB 2.0 x 4 ports)
PS/2	1 Port (reserved for Keyboard & Mouse)	
Serial port	COM 1 ~ 3 with 5V/12V power output on 9pin	
LAN	Gigabit Ethernet x 2 ports 1x Intel Gigabit LAN with iAMT 8.0 (Intel 82579LM) 1x Intel Gigabit LAN with (Intel 82583V)	Realtek RTL 8111E Ethernet Controller
Audio	Realtek ALC 892 / Line-out, Mic-in	
Display port	VGA x 1 port	
Options		
MSR	Comply with ISO 7811, Support 1 & 2 & 3 track	
Speaker	2 x 0.8W (Stereo)	
Side USB	4 Ports (USB 2.0 x 4 ports)	
SCR	EMV level 1	
Dallas	Dallas I-button reader	
Back up battery	Smart battery (supports up to 1 packs)	
Customer display	VFD type (20 x 2)	
2nd LCD	10.1" LCD or 10.4" LCD or 12.1" LCD (1024 x 768 resolution)	
2nd Storage	Dual 2.5 inch storage	
Cash drawer port	1 Port	
Parallel port	1 Port	
WiFi	Mini PCIe for wireless LAN	
Operating Temperature	0°C ~ 40°C at 10% ~ 80% humidity	
Storage Temperature	-20°C ~ 60°C at 10% ~ 80% humidity	
Qualification	CE, FCC, KC	
Power	Adaptor 24V, 6A	Adaptor 12V, 5A
OS Support	Windows 7, Windows 8, POS Ready 7	Windows XP/Vista, Windows 7, POS Ready 2009/7
Dimension (WxHxD)	365 x 305 x 385(mm), 14.3 x 12 x 15.1 (inch)	



* Product specifications may differ according to region and may be changed without prior notice.